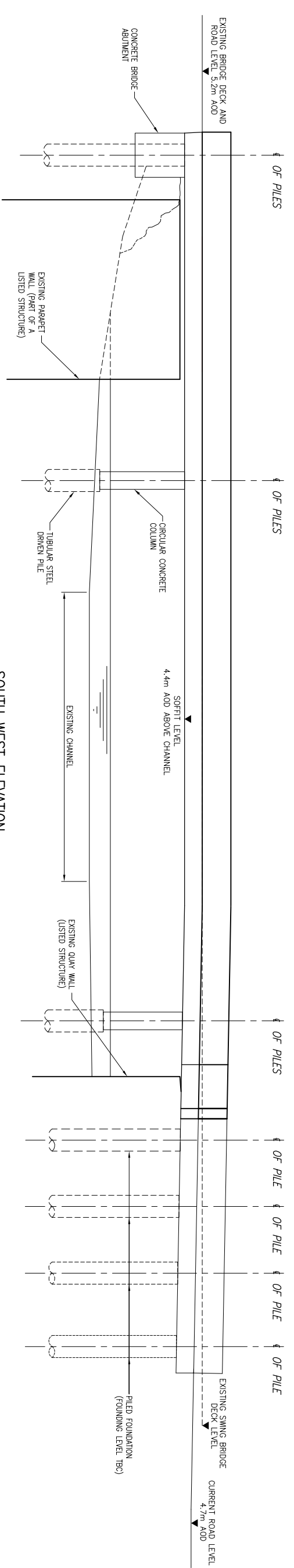
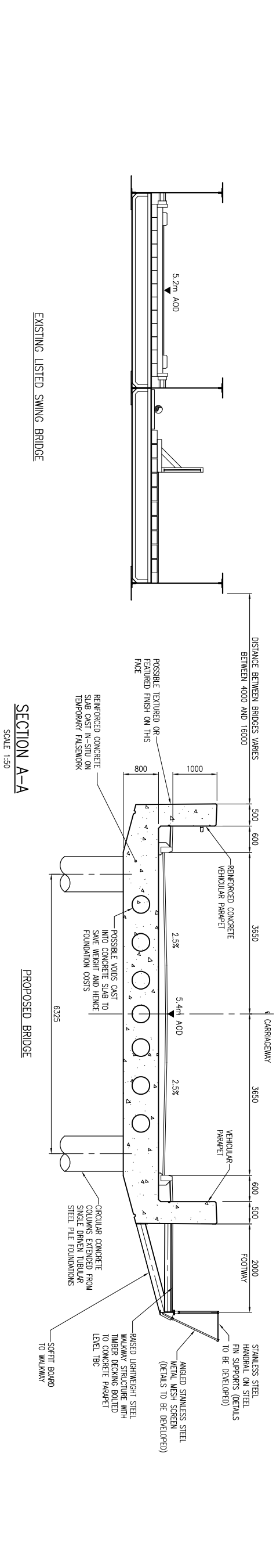


PLAN  
SCALE 1:200



SOUTH WEST ELEVATION  
SCALE 1:100



SECTION A-A  
SCALE 1:50

No	Description	Date	Checked
04	REVISED FOOTWAY ALIGNMENT	20.11.07	NdG
03	OUTLINE PLANNING APPLICATION	21.09.07	NdG
02	JUNCTION AMENDED	03.08.07	NdG
01	MINOR REVISIONS	16.07.07	NdG
00	FIRST ISSUE	06.07.07	NdG

## OUTLINE PLANNING APPLICATION

Based on the proposal indicated

17 Newman Street  
London  
W1T 1PD  
Tel 020 7927 9700  
Fax 0870 787 4145

**Buro Happold**  
Consulting Engineers

Project: **HAYLE HARBOUR NORTH QUAY ROAD BRIDGE GENERAL ARRANGEMENT**

Scale: AS SHOWN  
Drawn by: L.A.  
Checked by: N.A.G.  
Date: 11.07.07

Job No: **022961**  
Drawing No: **CSK201-1**  
Rev: 04