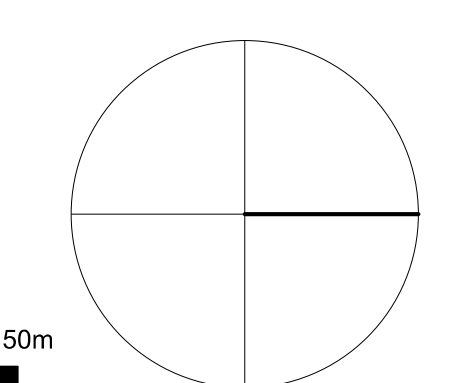
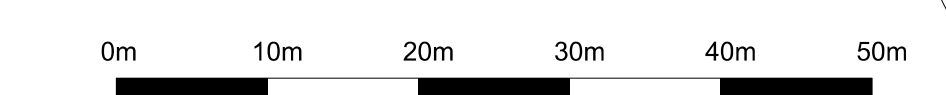
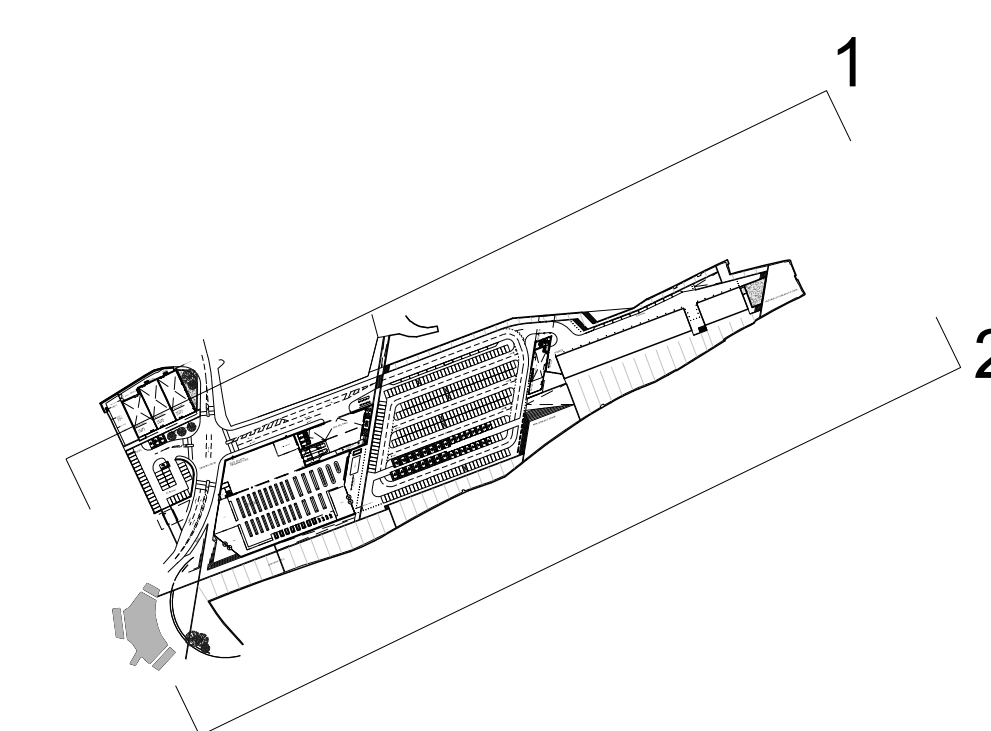
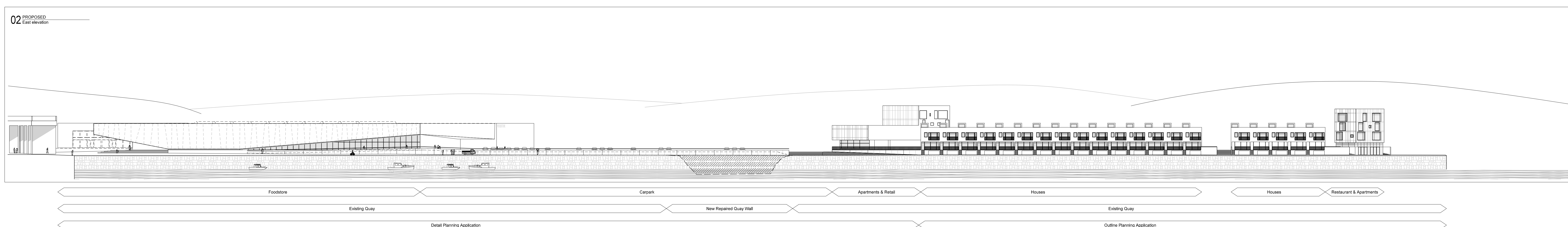
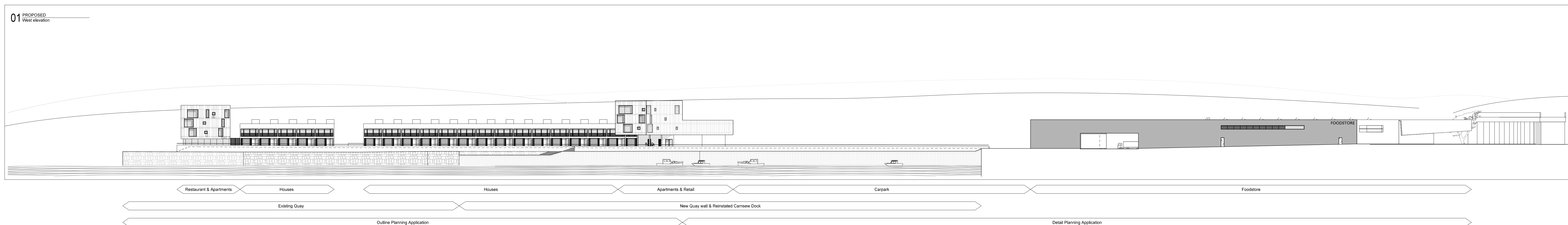


DO NOT SCALE FROM THIS DRAWING.  
 VERIFY ALL DIMENSIONS ON SITE.  
 DRAWING SHOULD BE READ IN CONJUNCTION WITH INFORMATION FROM ALL OTHER DESIGN CONSULTANTS AND CONTRACTORS.  
 ELECTRONIC VERSIONS OF THIS INFORMATION ARE ISSUED IN GOOD FAITH TO ASSIST WITH TRANSFERRING PROJECT INFORMATION FOR USE BY OTHERS.  
 THE RECIPIENT MUST VERIFY ACCURACY AND COMPLETENESS OF INFORMATION ONCE TRANSFERRED.  
 FEILDEN CLEGG BRADLEY STUDIOS ACCEPT NO RESPONSIBILITY FOR ACCURACY, COMPLETENESS OR ANY OTHER DEVIATION FROM CORRESPONDING PLT FILE INFORMATION.



FeildenCleggBradleyStudios  
 LLP  
 Bath Brewery  
 Toll Bridge Road  
 Bath BA1 7DE  
 t 01225 852545  
 f 01225 852528  
 e bath@fcbstudios.com

Amendment \_\_\_\_\_ Date \_\_\_\_\_  
 Job/Drawing No. Amendment  
 HAYLE SOUTH QUAY & FOUNDRY YARD 1606/P/111  
 PROPOSED DEVELOPMENT Scale 1:500 (1:1000 @ A2)  
 LONG ELEVATIONS Date JULY 2011  
 Drawn S17  
 © fcbstudios All dimensions to be checked on site  
 Original printed at A0